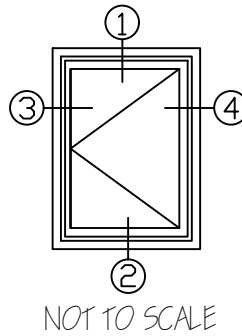
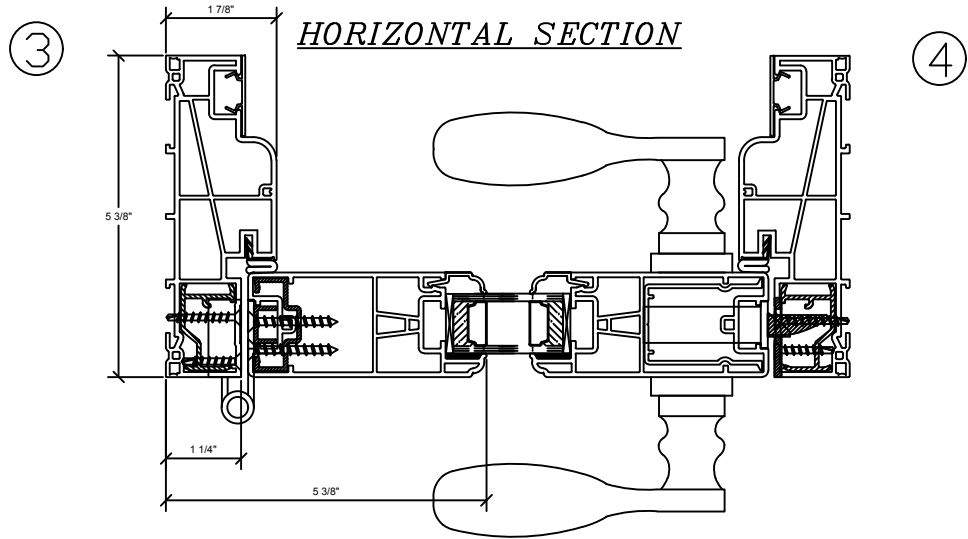
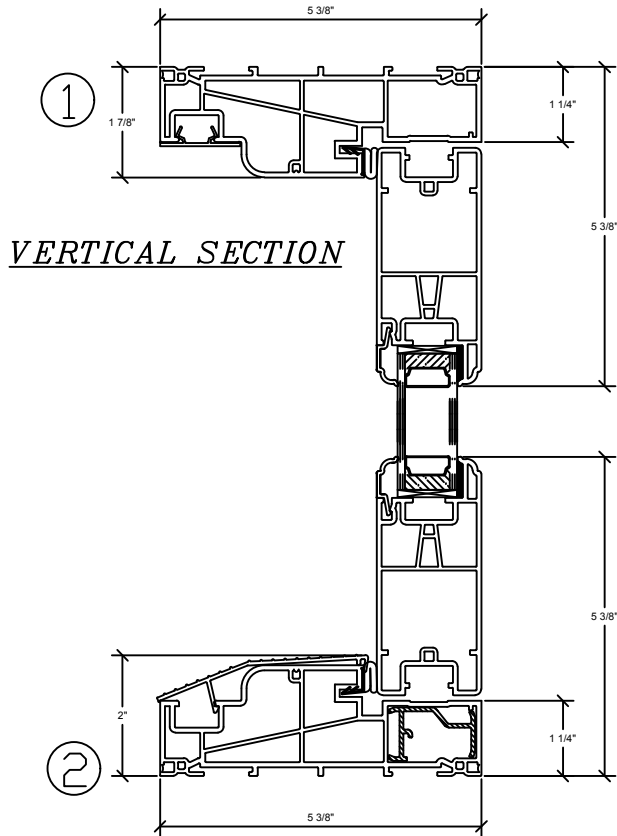


SERIES 1100 - PVC SWING SINGLE DOOR



79 Walton St.
 Attleboro, MA 02703
 508-455-0661 -- FAX 508-455-0622